

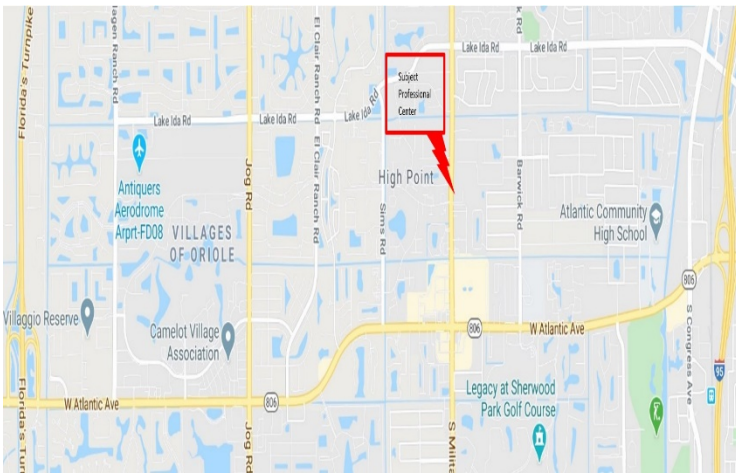


# DELRAY PROFESSIONAL CENTER

**14000 S. Military Trail, Delray Beach, FL**

Great office building conveniently located between Lake Ida and Atlantic Blvd. along S. Military Trail. Walking distance to the US Post Office, shops, medical facilities, restaurants and much more. See details:

- In-Suite **Private Restrooms**
- **Covered** garage parking available
- Within 4 mile from the Atlantic interchange on the Florida Turnpike
- Within 3 miles from the Atlantic interchange on **I-95**
- Suites from 1,600 SF to 5,300 SF
- **\$27.00**psf Modified Gross, Net of Janitorial and Electric.



FOR ADDITIONAL INFORMATION CONTACT:

**CHARLIE EXELBIRT**

[CHARLIE@MATTISADVISORS.COM](mailto:CHARLIE@MATTISADVISORS.COM) 954-309-7151

**WENDY RAZIN**

[WRAIZIN@MATTISADVISORS.COM](mailto:WRAIZIN@MATTISADVISORS.COM) 954-871-9448

MATTIS ADVISORS, INC.  
Commercial Real Estate Brokers  
1181 S. Rogers Circle, Suite 20  
[WWW.MATTISADVISORS.COM](http://WWW.MATTISADVISORS.COM)





# DELRAY PROFESSIONAL CENTER

14000 S. Military Trail, Delray Beach, FL



---

**WENDY RAIZIN**  
[WRAIZIN@MATTISADVISORS.COM](mailto:WRAIZIN@MATTISADVISORS.COM)  
**954-871-9448**

---

**CHARLIE EXELBIRT**  
[CHARLIE@MATTISADVISORS.COM](mailto:CHARLIE@MATTISADVISORS.COM)  
**954-309-7151**

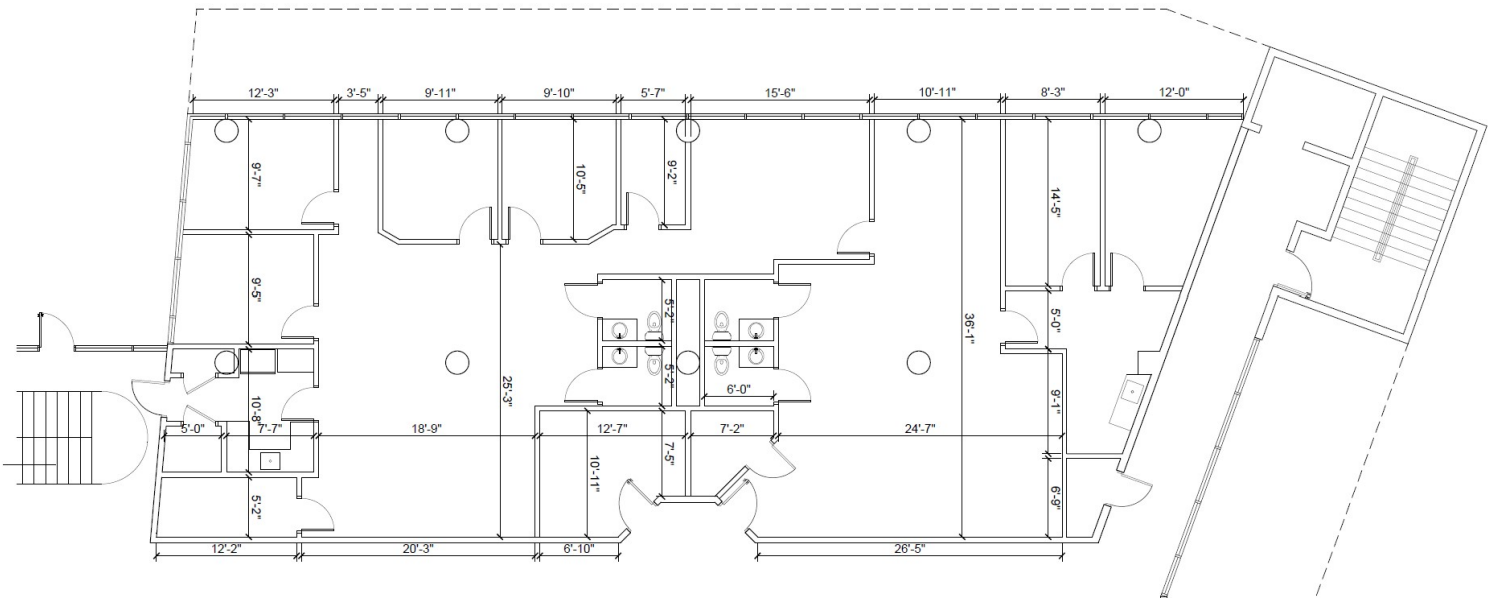
---



# DELRAY PROFESSIONAL CENTER

14000 S. Military Trail, Delray Beach, FL

**Suites 110 & 112 – 3,722 RSF**



---

**WENDY RAIZIN**  
[WRAIZIN@MATTISADVISORS.COM](mailto:WRAIZIN@MATTISADVISORS.COM)  
**954-871-9448**

---

---

**CHARLIE EXELBIRT**  
[CHARLIE@MATTISADVISORS.COM](mailto:CHARLIE@MATTISADVISORS.COM)  
**954-309-7151**

---

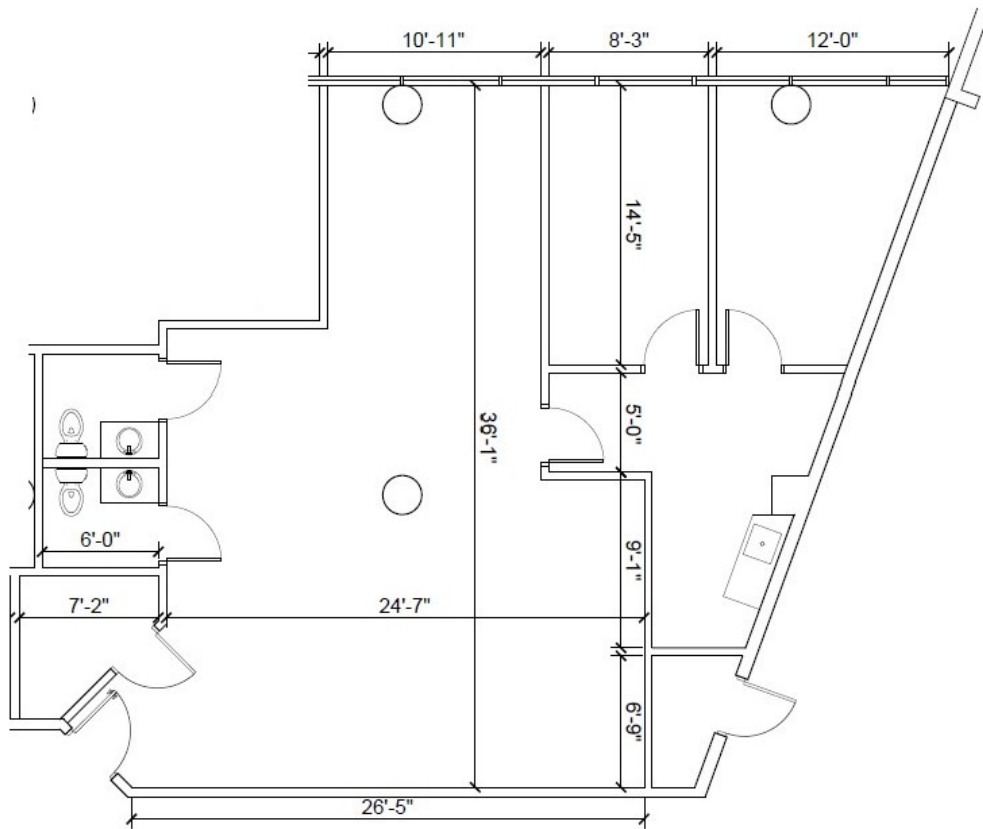




# DELRAY PROFESSIONAL CENTER

14000 S. Military Trail, Delray Beach, FL

**Suite 112 - 1,634 RSF**



---

**WENDY RAIZIN**  
[WRAIZIN@MATTISADVISORS.COM](mailto:WRAIZIN@MATTISADVISORS.COM)  
**954-871-9448**

---

**CHARLIE EXELBIRT**  
[CHARLIE@MATTISADVISORS.COM](mailto:CHARLIE@MATTISADVISORS.COM)  
**954-309-7151**

---